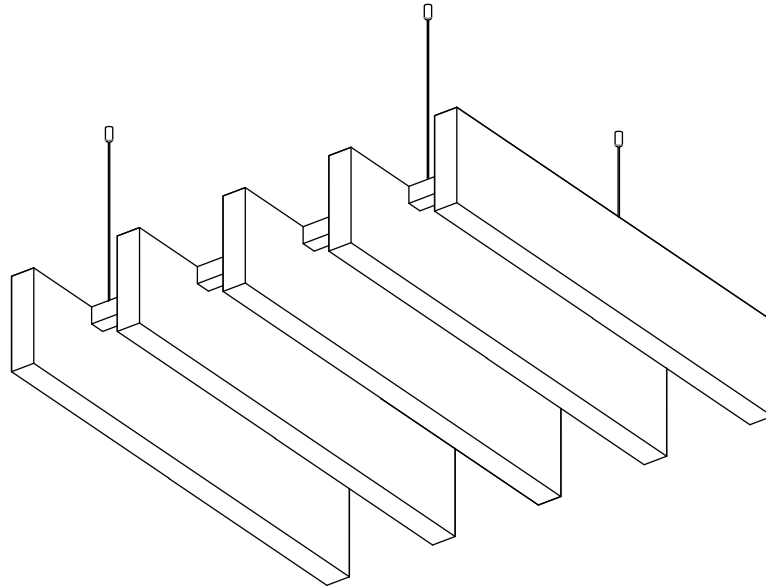
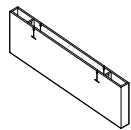


INSTALLATION INSTRUCTIONS

RAIL BAFFLE UNLIT



INSTALLATION HARDWARE



RAIL



BRASS LOCATOR



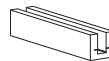
T-BAR



UPPER SUSPENSION HOUSING



LOOPING CABLE GRIPPER



SPACER TRIM

*Images reflect typical hardware options. Please refer to packing list for items & quantities specific to your order

RECOMMENDED TOOLS

Drill - Level - Laser - Wire Cutter

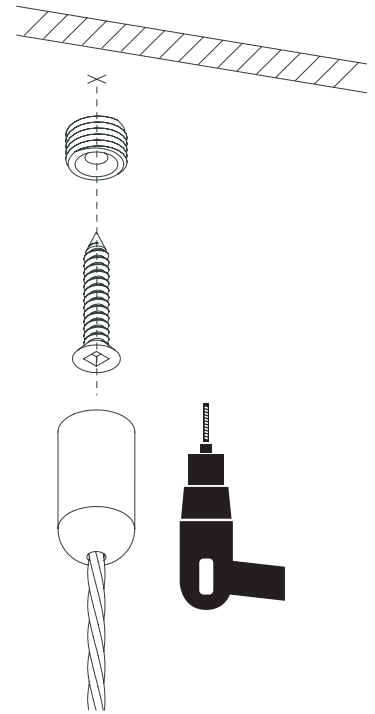
INSTALLATION INSTRUCTIONS

RAIL BAFFLE UNLIT

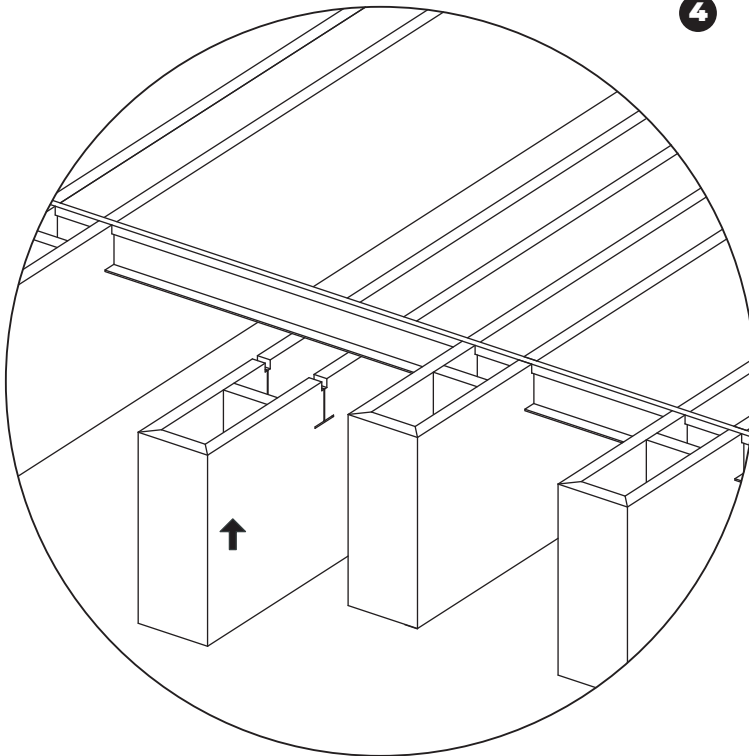
- 1** Clear appropriate sized floor space below install location.
*Confirm the install location and the direction the Rail Cloud.

- 2** Locate available suspension points on ceiling in relation to Rail Cloud suspension locations.

- 3** Screw the CF6-01 UPPER SUSPENSION HOUSING to the ceiling
(*Screws, hand drill not included.)



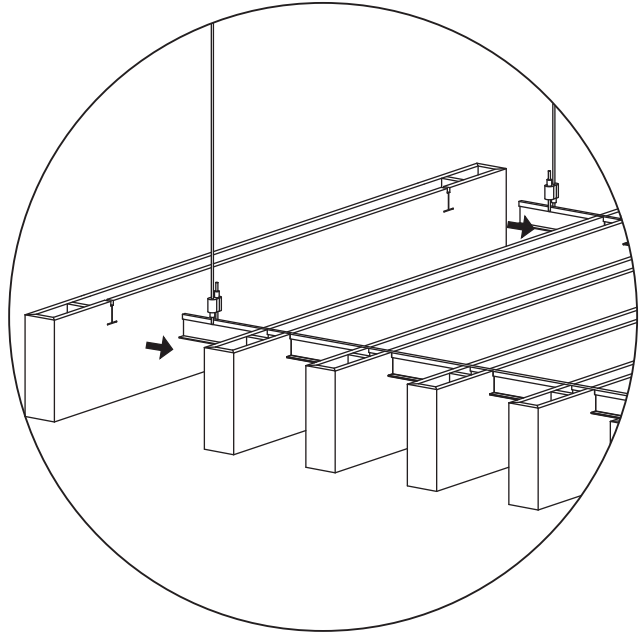
- 4** Snap on the Rail onto the T-Bar



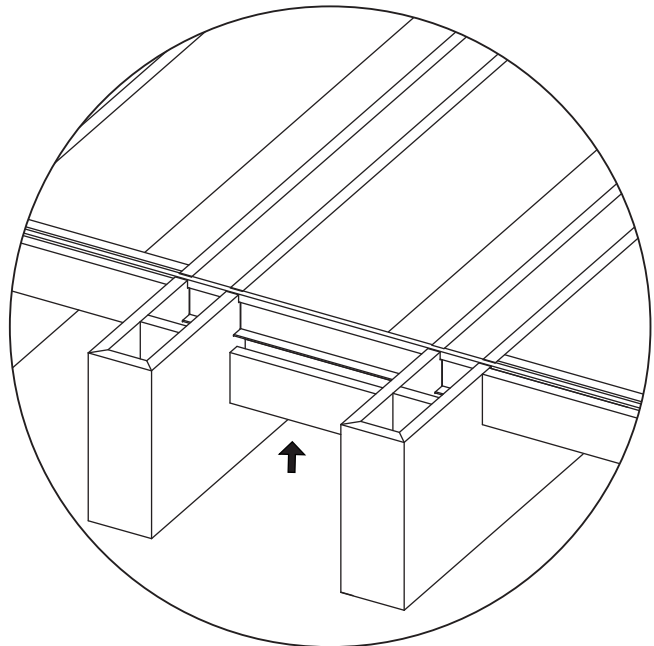
INSTALLATION INSTRUCTIONS

RAIL BAFFLE UNLIT

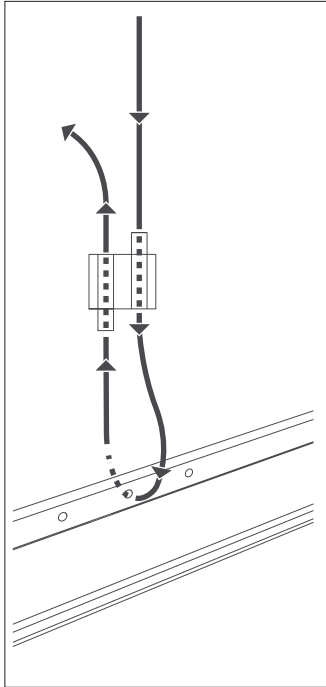
- 5** Push the end rails onto the end of the T-Bar.



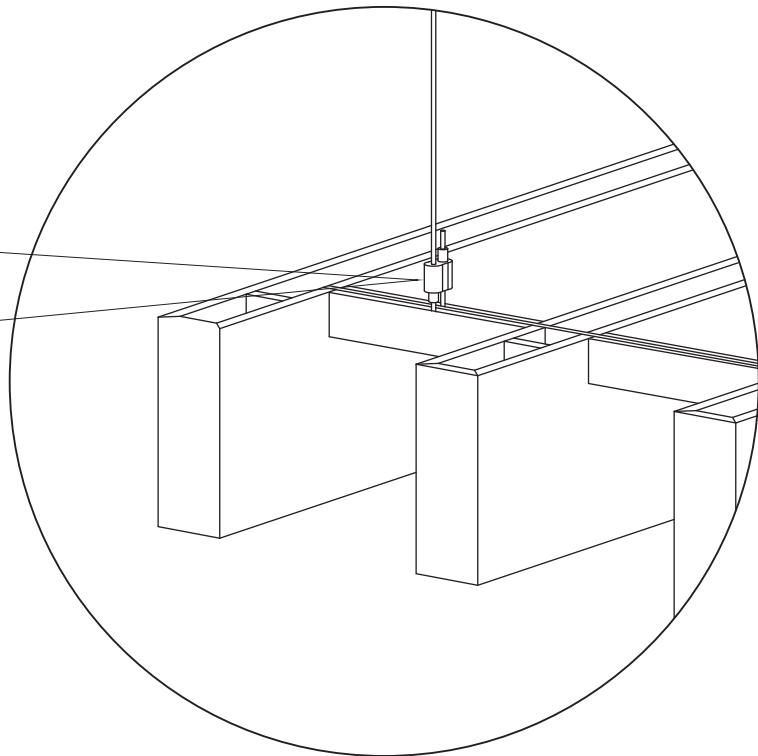
The spacers wrap around the bottom of the t-bar and pressure fit into the cut slits on each side of the inside of the spacer. The spacers will facilitate the proper spacing between each rail.



INSTALLATION INSTRUCTIONS

RAIL BAFFLE UNLIT

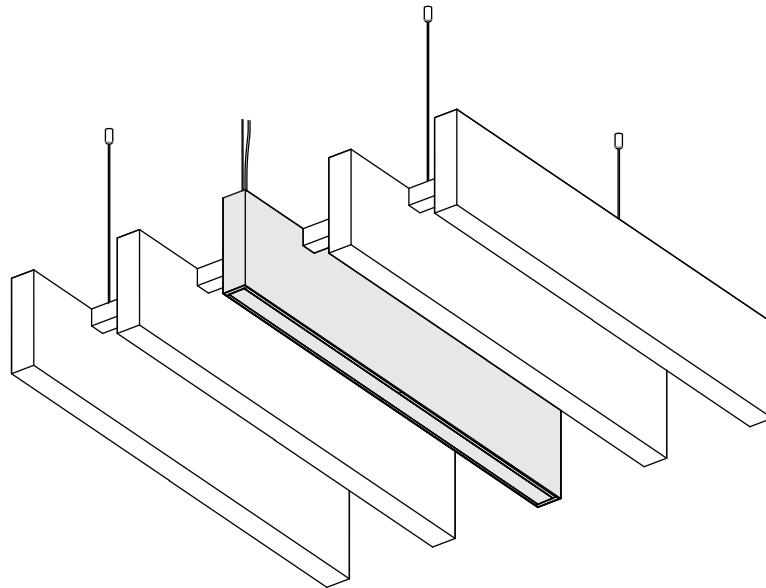
- 7** Loop the cable of CF6-01 through the holes on the T-BARS with the CG7250 LOOPING CABLE GRIPPER.



- 8** Adjust the cables to level BAFFLE CLOUD by pulling the cable coming out of the CG7250 LOOPING CABLE GRIPPER up to the desired final height.

INSTALLATION INSTRUCTIONS

RAIL BAFFLE LIT & UNLIT



HANGERS

AIRCRAFT CABLE & CORD _____	PAGE 6
T-BAR CLIP HANGER _____	PAGE 9
T-BAR AIRCRAFT CABLE & HOLD HANGER _____	PAGE 10
UNISTRUT HANGER _____	PAGE 11

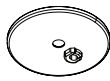
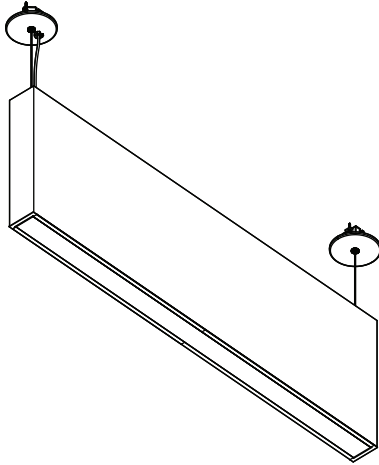
RECOMMENDED TOOLS

See the page of the Rail Hanger type of your order to find the recommended tool kit.

INSTALLATION INSTRUCTIONS

RAIL BAFFLE LIT & UNLIT

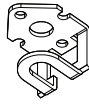
AIRCRAFT CABLE & CORD



Ø127 CANOPY (STD WHITE)

QUANTITY: 1U

** Second canopy with no heyco stain relief hole provided.*



HANGER BRACKET

QUANTITY: 2U



NIPPLE HEIGHT ADJUSTER

QUANTITY: 2U



KNURLED NUT

QUANTITY: 2U



HEYCO STAIN RELIEF

QUANTITY: 1U



ADJUSTABLE CABLE HOLDER

QUANTITY: 2U



STEM

QUANTITY: 2U

STD WHITE CORD

QUANTITY: 1U

**pre-mounted*

AIRCRAFT CABLE

QUANTITY: 2U

**pre-mounted*

**Images reflect typical hardware options. Please refer to packing list for items & quantities specific to your order.*

RECOMMENDED TOOLS

Tape Measure - Screw Driver

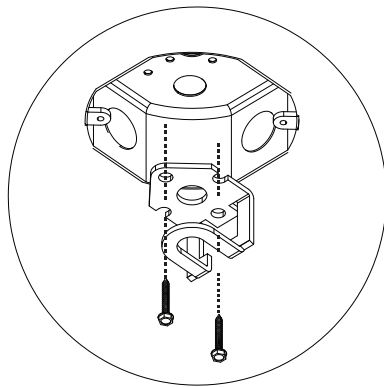
INSTALLATION INSTRUCTIONS

RAIL BAFFLE LIT & UNLIT

AIRCRAFT CABLE & CORD

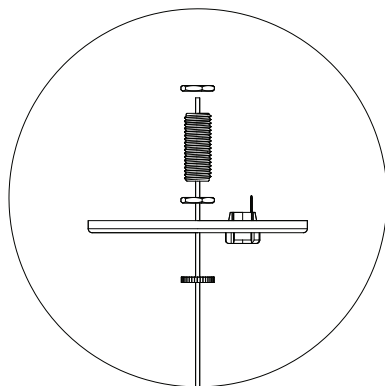
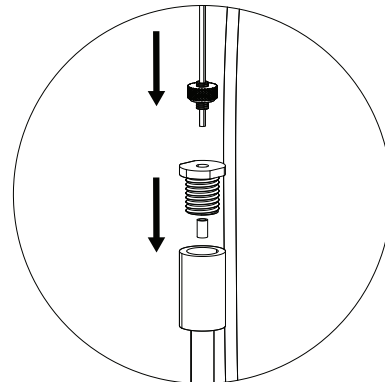
- 1** The ceiling requires two octagon boxes (depth 38mm [1.5in]).
- The octagon boxes should be pre installed by others according the suspension points of the Rail Carved Direct / Indirect.
- * octagon box not included in the kit.

L= Length according Rail suspension points



- 2** Attach hanger bracket to each octagon box to support fixture.
- * screws by others

- 3** Screw the adjustable cable holder to the STEM.

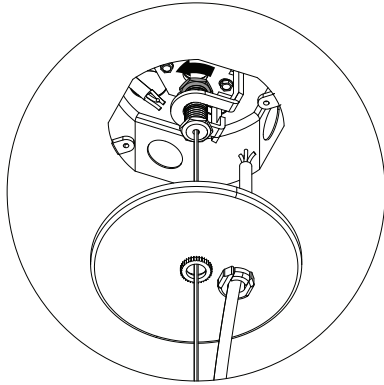


- 4** Make sure the suspension kit follows the correct order.

INSTALLATION INSTRUCTIONS

RAIL BAFFLE LIT & UNLIT

AIRCRAFT CABLE & CORD



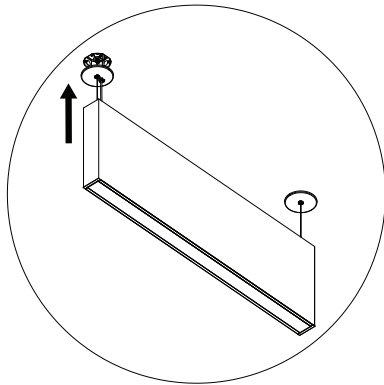
5

Mount the nipple height adjuster on the hanger bracket using the nuts and adjust the pieces.

** Repeat the process in the second suspension point.*

6

Make electrical connection to electrical code.

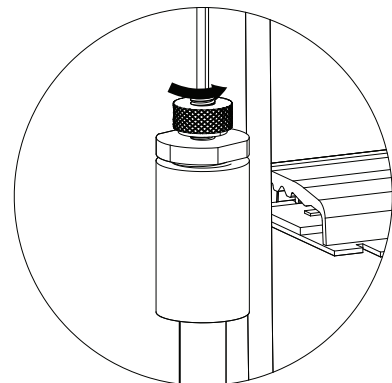
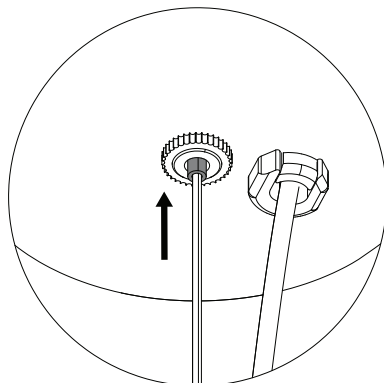


7

Raise the canopy and screw the knurled nut to keep the set in place.

8

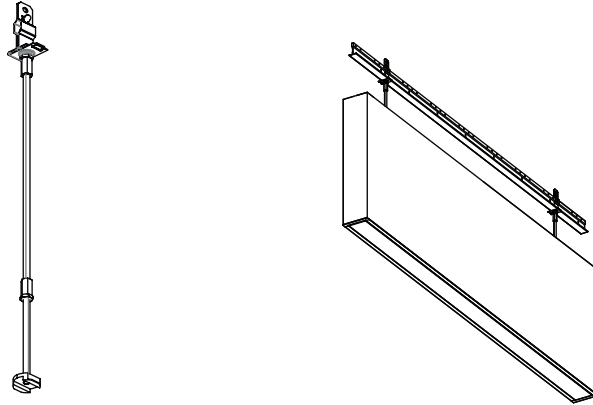
Level the Rail Direct / Indirect screwing the adjustable cable holder or pushing up the nipple height adjuster.



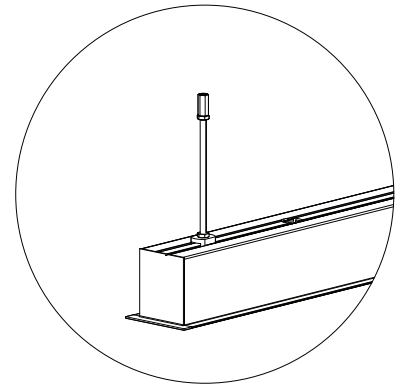
INSTALLATION INSTRUCTIONS

RAIL BAFFLE LIT & UNLIT

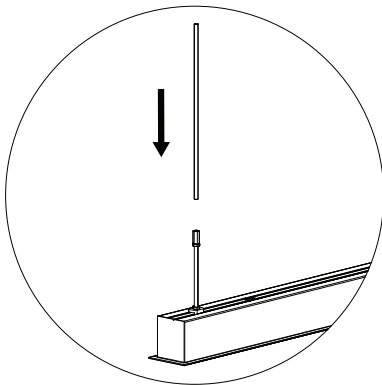
T-BAR CLIP HANGER



1 Locate the hex coupler for hanger installation positioned at the top side of the luminaire.



2 Thread in the 1/4-20 rod in to the hex coupler.



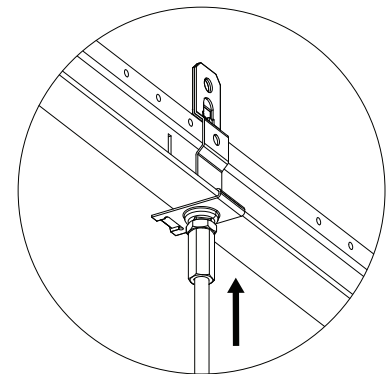
3 Thread one 1/4-20 nut and hex coupler onto the T-Bar clip

4 Thread the top section of the 1/4-20 rod into the T-Bar clip.

5 Raise the assembly to the desired location on the T-Bar to mount.

6 Secure the T-Bar clip by joining the two halves together.

7 Support the T-bar clip by using aircraft cable to a suitable suspension point.
** Aircraft cable not included in the kit.*



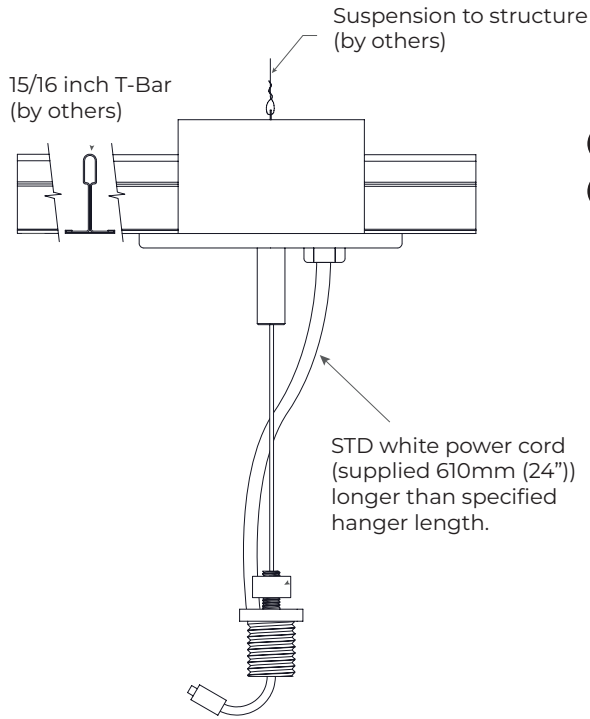
RECOMMENDED TOOLS

Tape Measure - Screw Driver - Wrench

INSTALLATION INSTRUCTIONS

RAIL BAFFLE LIT & UNLIT

T-BAR AIRCRAFT CABLE & HOLD HANGER



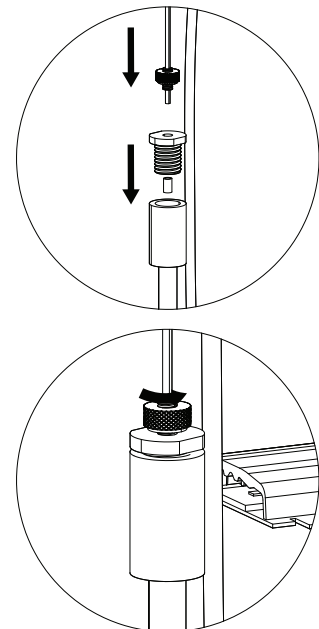
- 1
- 2

Install the drop ceiling J-Box (supplied)
Mount the nipple height adjuster on the hanger bracket using the nuts and adjust the pieces.

** Repeat the process in the second suspension point.*

- 3 Make electrical connection to electrical code.
- 4 Screw the adjustable cable holder to the STEM.

- 5 Level the Rail Carved Direct / Indirect screwing the adjustable cable holder or pushing up the nipple height adjuster.



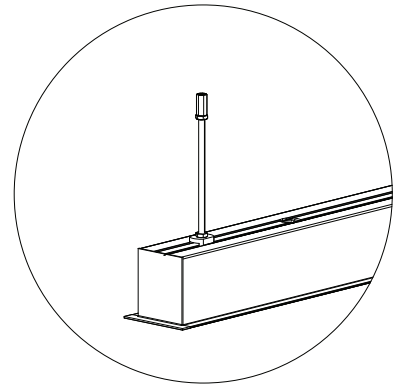
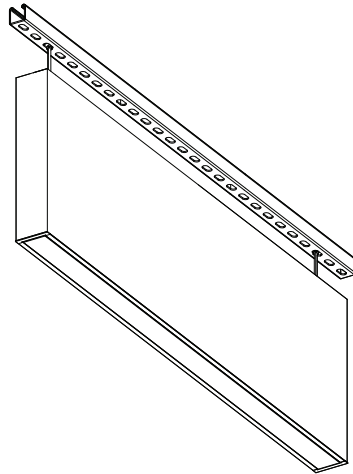
Note: Any change to cable or removal of crimps, transfers liability from Ezobord / Aysonics to contractor making the alterations.

RECOMMENDED TOOLS
Tape Measure - Screw Driver

INSTALLATION INSTRUCTIONS

RAIL BAFFLE LIT & UNLIT

UNISTRUT HANGER

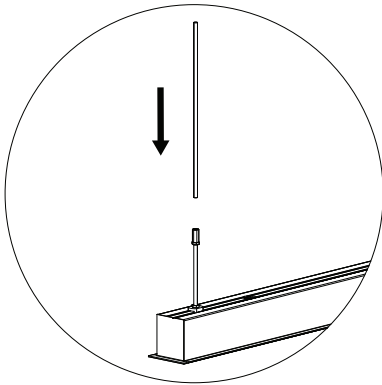


- 1** Locate the hex coupler for hanger installation positioned at the top side of the luminaire.

- 2** Thread in the 1/4-20 rod in to the hex coupler.

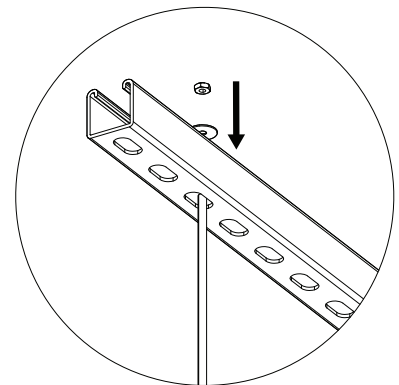
- 3** Repeat step 2 for the side of the Rail.

- 4** Locate the required hanger point on the unistrut



- 5** Pass the 1/4-20 rod through the unistrut

- 6** Use a nut and washer as required on the end of the threaded rod to secure the rod to the unistrut.



* Unistrut not included in the kit.

RECOMMENDED TOOLS

Tape Measure - Screw Driver - Pliers

UNITED STATES

Ayrsonics Mid West LLC

170 Prairie Lake Rd
East Dundee, IL 60118
P: 1-800-517-0686
sales@mw.ayrsonics.com

Ayrsonics Southwest LLC

8934 Eton Ave
Canoga Park, CA 91304
213-833-9700
sales@sw.ayrsonics.com

Ayrsonics New England LLC

32 Hampshire Rd
Salem, NH 03079
P: 603-824-9338 ext. 3001
P: 603-327-4349
sales@ne.ayrsonics.com

CANADA

Ayrsonics Inc - Ontario

825 Trillium Drive
Kitchener, Ontario N2R 1J9
P: 1-844-441-1122
sales@ayrsonics.com

Ayrsonics Inc - Alberta

#9112 – 52nd St. S.E.
Calgary, Alberta T2C 5A9
P: 1-844-441-1122
sales@ayrsonics.com

EzoBord Corporate Office

6845 Rexwood Road,
Unit 7 Mississauga,
ON L4V 1S5 Canada
+1 416 665 3571
info@ezobord.com

CENTRAL & LATIN AMERICA

EzoBord Costa Rica SRL

100 Sur 25 Oeste Recope
Bodega #18 Ochomogo, Cartago
+506 8842 4613
info-latam@ezobord.com

EzoBord - LATAM

Buenos Aires, Argentina
+54 9 11 5657 1793
info-latam@ezobord.com

UNITED KINGDOM

EzoBord UK Ltd

Unit 20 Westwood Business Park
Margate, Kent. CT9 4JJ
+44 1843 264027
sales@ezobord.co.uk

IRELAND

EzoBord Ireland

Unit 523, Greenogue Business Park
Rathcoole, Co. Dublin D24 RY89
+353 (0)1 443 3599
sales@ezobord.ie

FOLLOW US



EzoBord.com